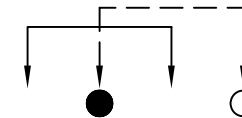
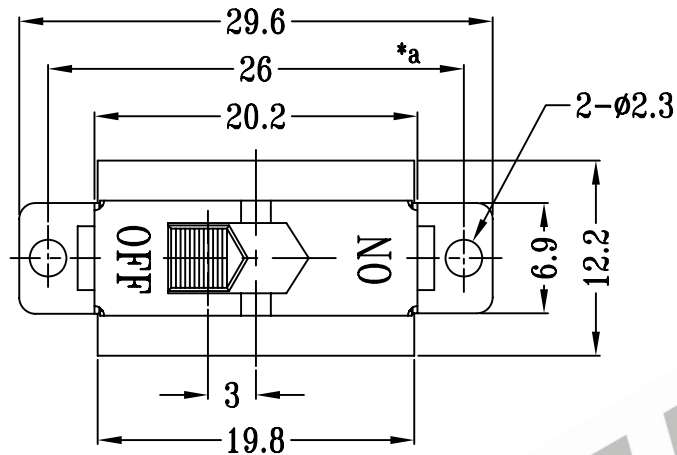
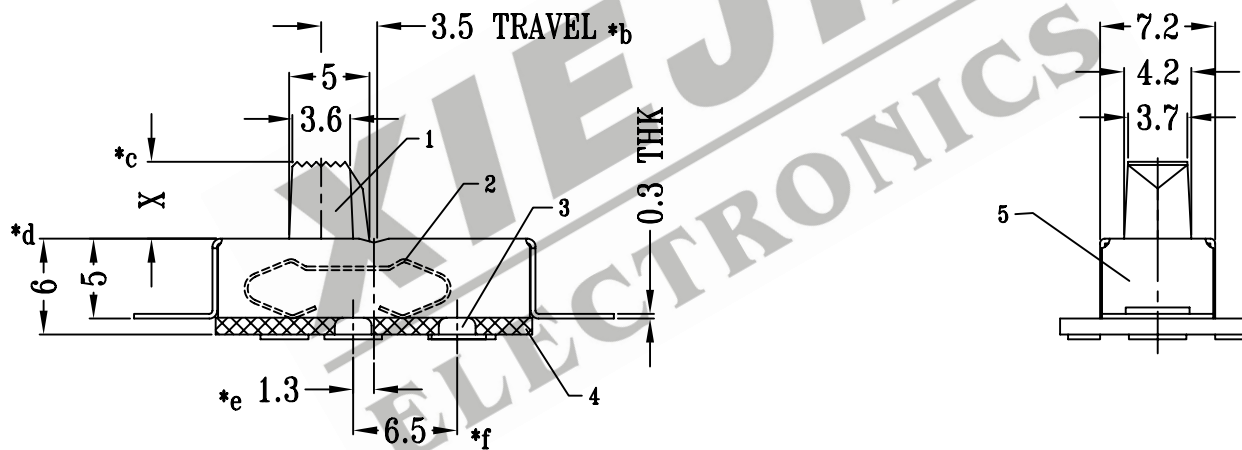


CAD FILE:



SCHEMATIC



注:带**表示关键尺寸(6个)

8					TOLERANCE UNLESS SPECIFIED	SHENZHEN XIEJIA ELECTRONICS CO.,LTD.				
7										
6					WITHIN: 1.5±0.1mm OVER : 1.5±0.2mm	ISSUE	DATE	DESCRIPTIONS		APPD.
5	FRAME	STEEL STRIP	1	Ni PLATED						
4	BASE	HARD PAPER	1	RED	TITLE : VERTICAL SLIDE SWITCH	UNIT : MM	DRWG NO.: XJ-DR-SS11G11-00			
3	TERMINAL	BRASS	2	NATURAL						
2	CONTACT CLIP	PBS	1	NATURAL	MODEL: SS-11G11	SCALE: 2 : 1	DWN.	ZHOUYU	2003-11-25	
1	KNOB	POM	1	RED			CHK'D	FANGYING	2003-11-25	
NO.	PART NAME	MATERIAL	Q'TY	FINISHING	ALL MATERIALS MUST BE COMPLIANT TO ROHS			APPD.	KANGXINAN	2003-11-25